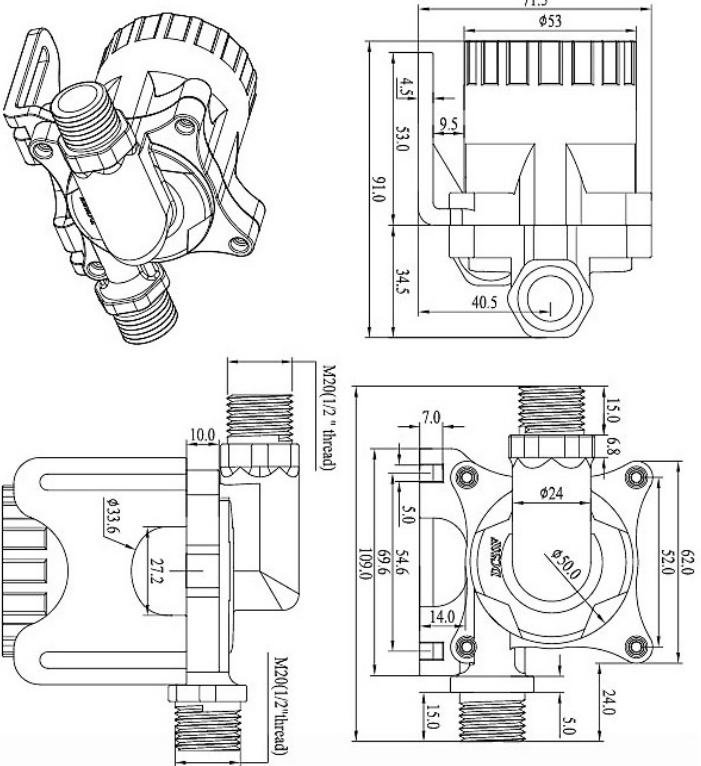


50F-24150A Brushless DC Pump

Performance

- Structure: Single-stage Pump
- Application: Submersible
- Usage: Water
- Model Number: DC50F-24150A
- Size: 109x91x71.5 mm
- Inlet: 20mm (1/2 Inch thread)
- Flow Rate: 1200L/H
- Power Consumption: 86.4W
- Max Temperature: 100 °C
- Power: Electric
- Pressure: Low Pressure
- Standard or Nonstandard: Nonstandard
- Theory: Centrifugal Pump
- Fuel: Electric
- Weight: 600g
- Outlet: 20mm (1/2 Inch thread)
- Static Head: 15M
- Rated Voltage: 24V DC
- Intelligent Speed: Yes

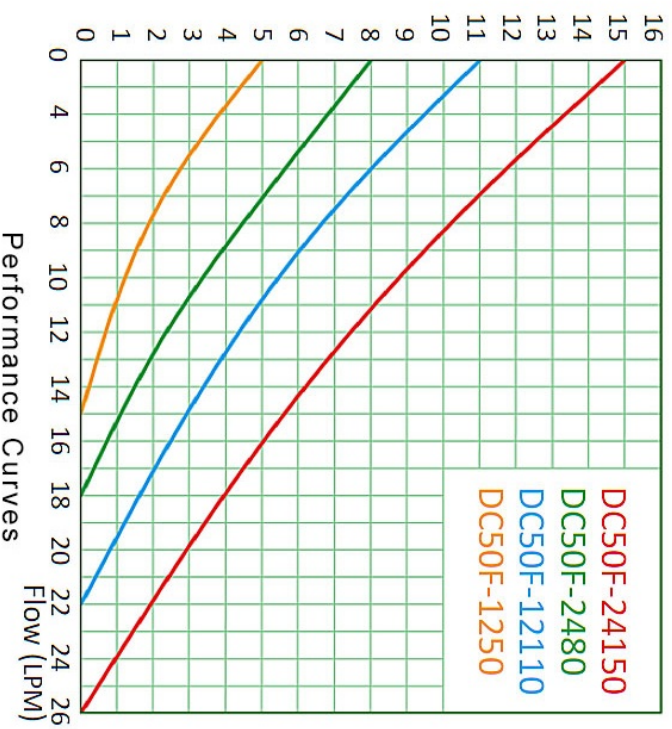
Dimension, Weight and Material



Head (M)

Performance Curve

Solar Radiation : 6kWh/m²/day



Performance Curves